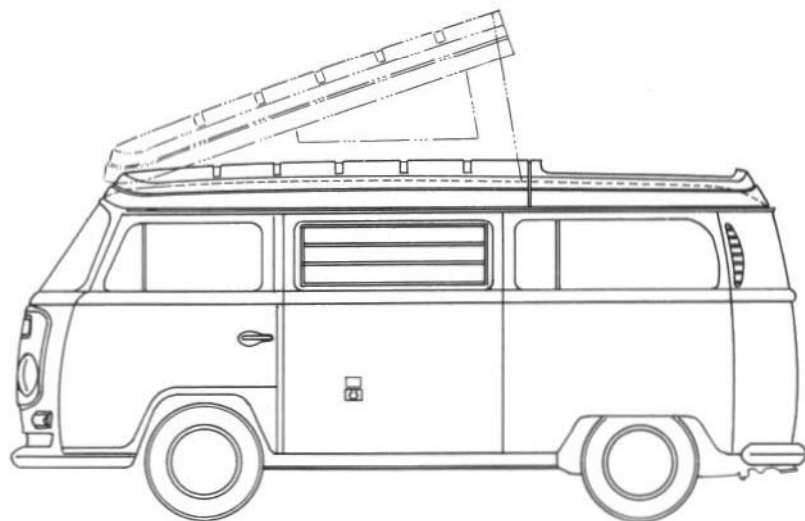
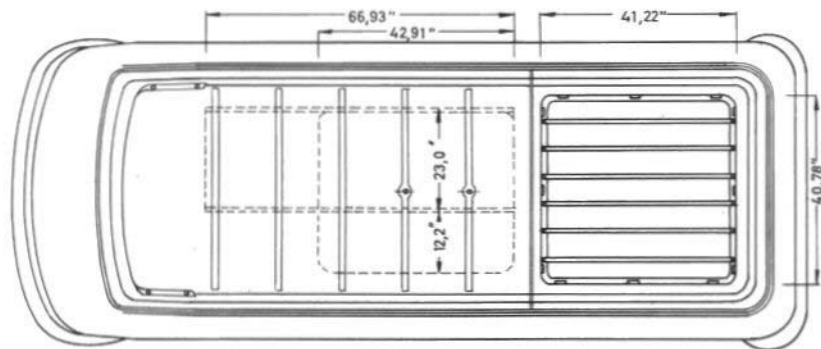
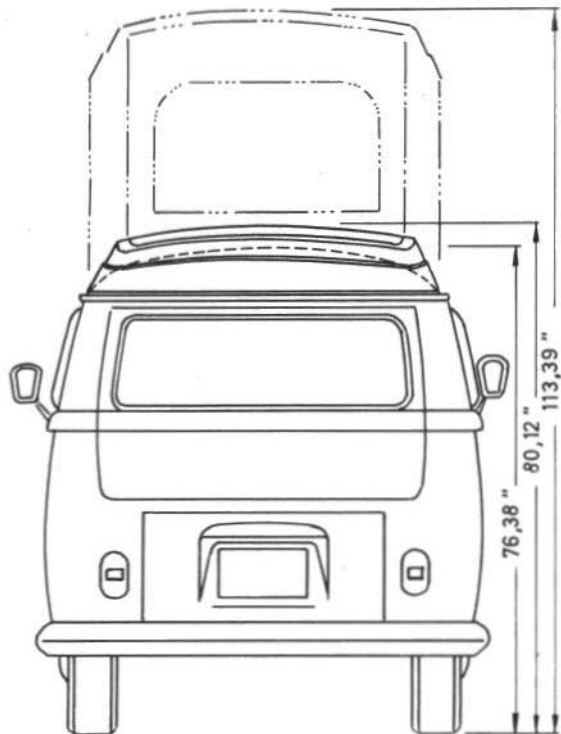


**Operating Instructions**

**Campmobile 70**

# DIMENSIONS

---



## SPECIFICATIONS

---

### **Standard Equipment**

Convertible bench/bed with armrest and storage locker underneath. Rear deck mattress (to complete bed make-up). Clothes closet complete with hooks and mirror on back of door. Linen closet complete with shelves and door. Rearfacing passenger seat with storage area below the seat and behind the seat back. Icebox unit includes: icebox 1.6 cu. ft. capacity with polyester foam insulation, ice retention rack, and independent drain; water pump and 7½ gallon capacity water tank with filler cap and drain tap; sink with drain and stopper; two utility tables, one to extend the work surface adjacent to the sink (also to cover the sink when not in use), one to provide a work surface outboard for work and cooking surface; utensil drawer, catchall cabinet. Birch plywood wall and ceiling panels, insulation behind wall paneling. Curtains for all windows including windshield. Children's hammock with storage bag. Jump seat (stool). Ceiling shelf cabinet over rear deck. Two louvered jalousie-type windows with rotary knob operator. Snap-on screen for rear door. Safety latch for rear door. Vinyl cover for spare tire and wheel. Three-way overhead ceiling lamp. Double 110 volt electrical outlet with master switch and circuit breaker. Wearresistant floor covering with felt backing for insulation. All seat upholstery and mattress are vinyl leatherette covered with snap-on panels. All table surfaces are heat and scratch resistant, and all furniture components are surfaced with woodgrained plastic; and corners of all cabinets are beaded in soft plastic and all major components are removable.

### **Optional Equipment**

Pop-up top with three screened openings (including flaps). Roof includes 5'6" canvas cot.

Luggage rack contains buffer rods and tie down hooks.

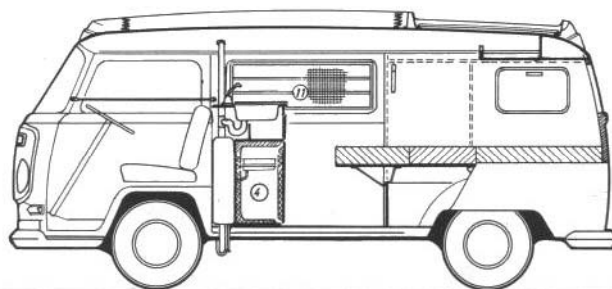
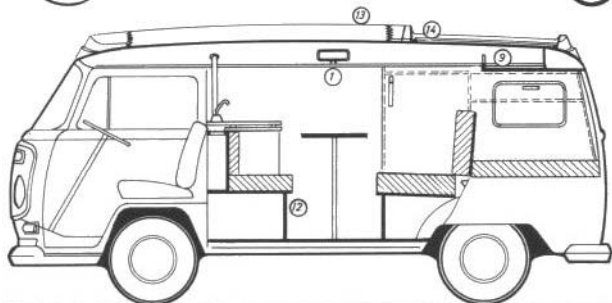
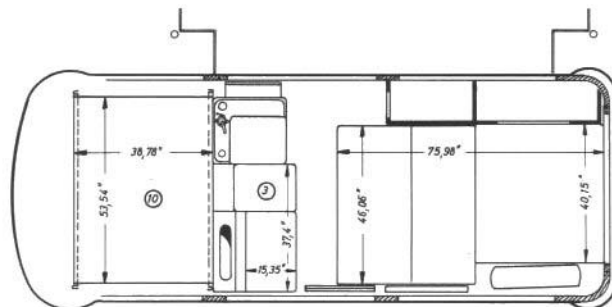
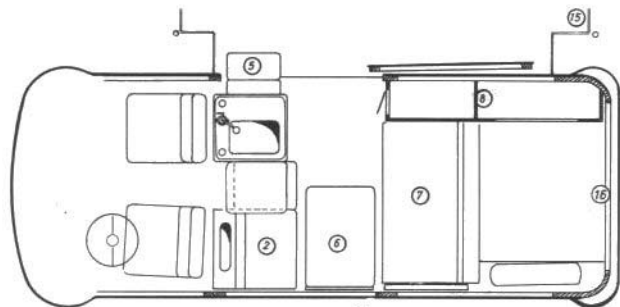
Tent, dimensions — 6'6" by 9'8".

External frame, Vinyl flooring.

Connecting boot to Campmobile.

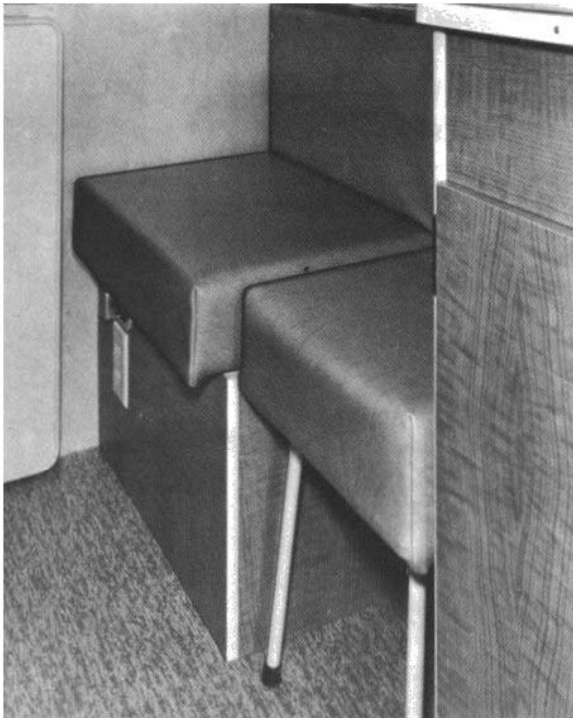
All necessary guy lines and stakes plus storage bag.

Door flap and two side ventilation flaps have mosquito netting; zipper operated.

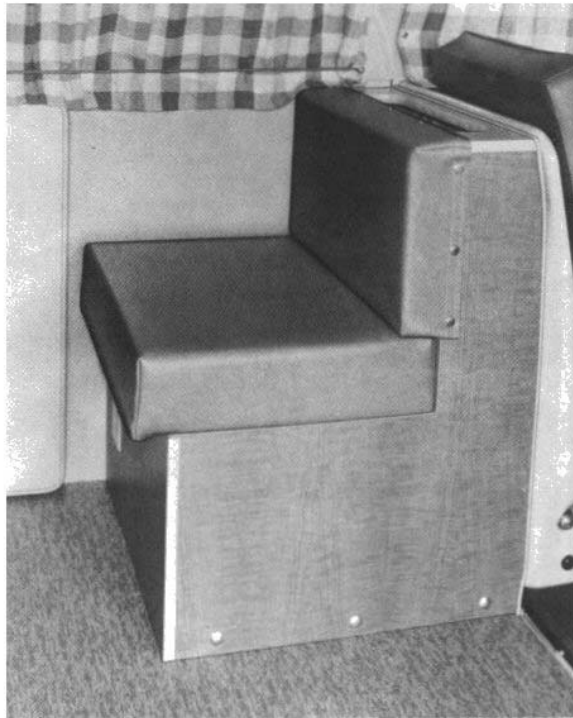


- |                                  |                                 |
|----------------------------------|---------------------------------|
| 1. Lamp                          | 9. Ceiling Shelf Cabinet        |
| 2. Front bench seat              | 10. Children's hammock          |
| 3. Jump seat stool               | 11. Louvered windows            |
| 4. Icebox cabinet                | 12. Electrical receptacle       |
| 5. Catchall cabinet              | 13. Pop-up top (optional)       |
| 6. Dinette table                 | 14. Roof rack (with pop-up top) |
| 7. Rear bench seat               | 15. Tent (optional)             |
| 8. Clothes closet / linen closet | 16. Mosquito net                |

**1. Ceiling Lamp:** The ceiling lamp has three bulbs (10 Watts each) and is actuated by the two push buttons. When on push button is actuated, one bulb is switched on. When the second button is operated the two other bulbs are switched on.



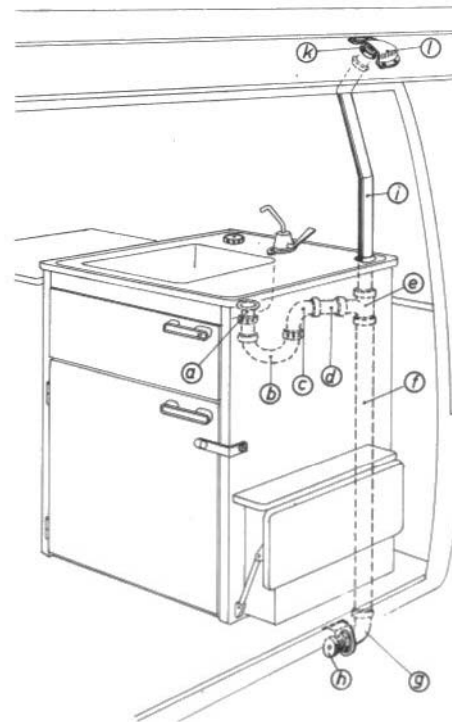
**2. Front Bench Seat:** The front bench seat in the passenger compartment is positioned back-to-back with the driver's seat. To gain access to the storage compartment under the seat, lift the seat cushion. The storage space behind the back of the front bench seat can be reached through the opening at the top.



**3. Jump Seat Stool:** The stool is located between the front bench and the icebox cabinet. To secure the stool in position between the icebox cabinet and the rear facing seat the retaining strap should be pulled through the eye located on the aisle side of the icebox cabinet.



**4. Icebox Cabinet:** This unit, located behind the passenger front seat, contains the icebox, sink, sink drain, pump, water tank, filler cap, utensil cabinet, catchall cabinet, and two utility tables inboard and outboard. The large icebox access door contains room for bottle storage and opens into the fully insulated interior. A tray is provided to contain block ice or dry ice and to keep it from sliding around while the vehicle is in motion. The base of the tray is designed to collect the water from melting ice and to drain it outside of the vehicle via the tube provided for this



purpose. The 7½ gallon water tank is located in the rear section of the cabinet directly behind the passenger seat and has a drain with a cap located underneath the vehicle. The filler cap for the water tank is located to the left on the sink top next to the hand-operated wobble pump. The inboard utility table provides a mar resistant work surface on both sides. This table can be used in the horizontal position extending into the aisle way or swung over to cover the sink and be used as a work surface in that position as well.



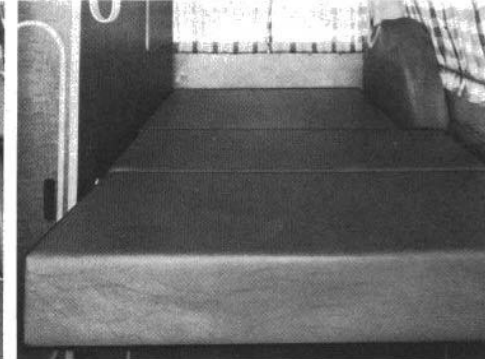
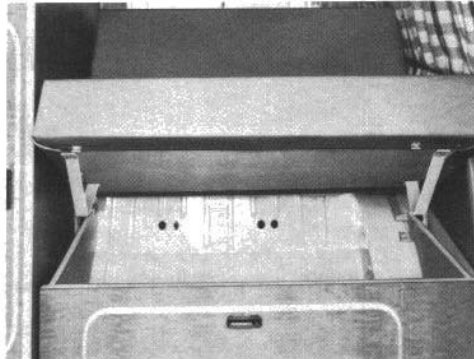
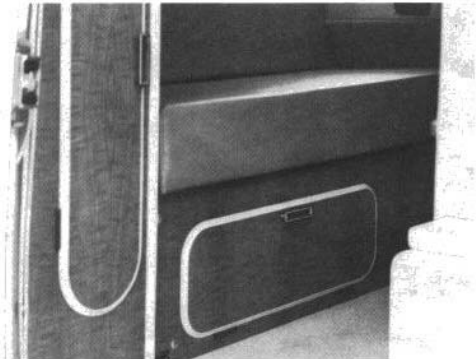
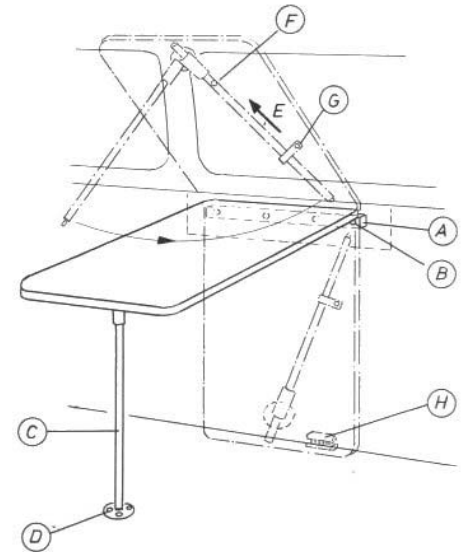
The sink drain indicated in the drawing and designated A—G is shut off by cap (H). The drain vent (I) connects with the drainage system at joint (E). The upper end of the vent (K) extends through the top of the vehicle and has a gasket to seal the junction of the vent and vehicle top from the weather. The plastic cap (L) provides further weather protection for the vent opening while allowing the sink drain to be ventilated.



**5. Catchall Cabinet With Utility Table:** The catchall cabinet is located on the right of the icebox cabinet. Before closing the sliding door, the utility table should be retracted covering the shelves in the catchall cabinet.

**6. The Dinette Table:** The dinette table is located between the two bench seats. Raise the table to a horizontal position and unsnap the plastic strap (G) so that the leg (C) can be swung to a vertical position. The table leg is then screwed into a threaded plate on the floor (D). To fold away the table unscrew the leg and bring it flush with the bottom of the table. The leg is retained in position by fastening it with the plastic strap. The table can be lowered and held in position by the friction catch.

**7. Rear Bench Seat:** A large storage locker with access door is located below the rear bench seat. This cabinet is accessible either by the door or lifting the seat. To convert the rear bench seat into a double bed, fold down the dinette table, and open the snap locks located on the right and left inside the bench seat base. These locks secure the bench seat while the vehicle is in motion. The seat is then lifted until it touches the stop. This will disengage the back seat. The seat is pulled forward while the back rest folds down onto the support located between the seat and the cushion. This creates an even surface for the bed. To set up the bench seat again, the back rest and the seat are lifted slightly, and pushed toward the rear. When the seat is moved back to its normal position, the back rest engages. The two snap locks can then be reengaged.



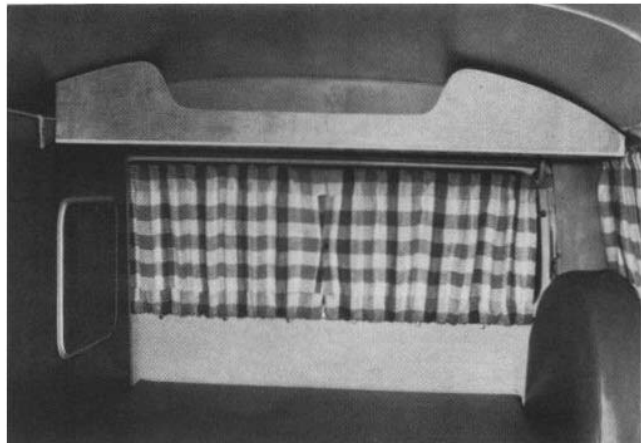




**8. Clothes Closet/Linen Closet:** The clothes closet/linen closet is located next to the sliding door. A full length mirror is mounted on the inside of the closet door. The linen closet is accessible through its own door toward the rear.

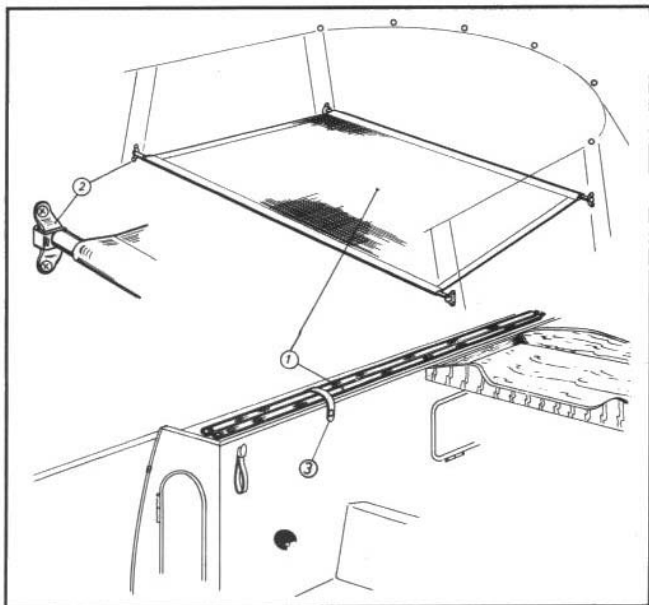
**9. The Ceiling Shelf Cabinet:** The ceiling shelf cabinet is located directly over the rear mattress and is accessible through the cut out area in the shelf face.

**Rear Flap Screen:** The screen can best be installed when the rear flap is open. Simply press the snap fasteners in the proper location. The rear flap can be closed with the screen installed.

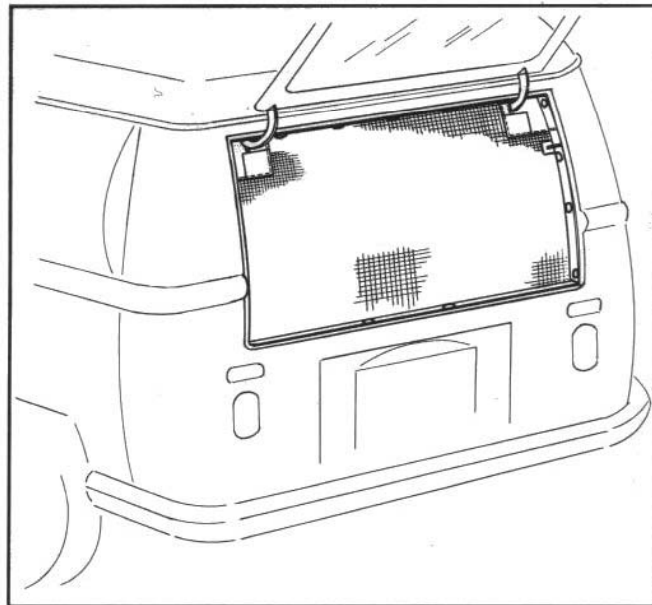


**10. Children's Hammock:** The hammock should be stowed in the bag provided and stored in the area at the top of the clothes closet. It should be secured by the hold down strap provided.

1. The hammock installed and ready for use.
2. Mounting attachment close-up.
3. Hold down strap.



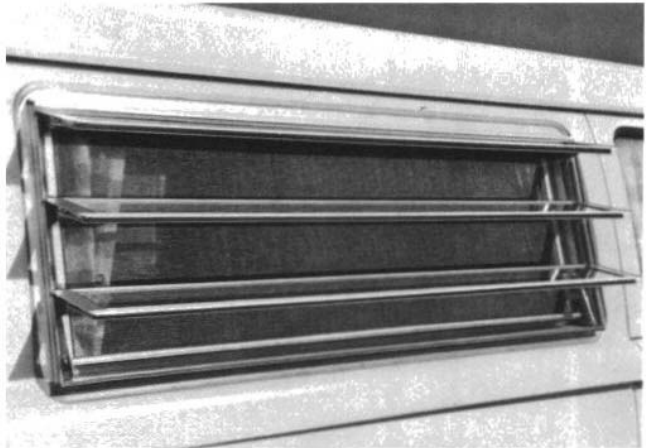
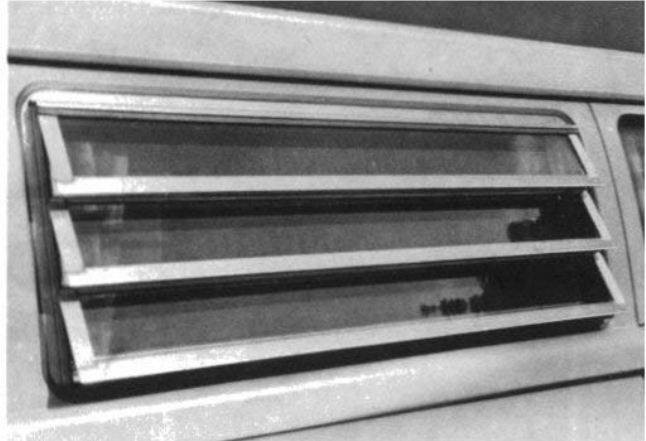
**16. Mosquito net:** The mosquito net can be installed with the rear lid open. To install the net, simply press the snaps in the proper locations. The lid can be closed with the mosquito net installed.



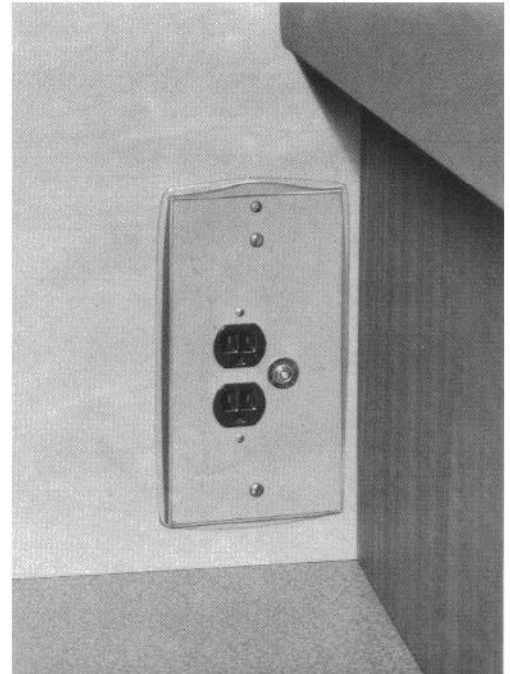
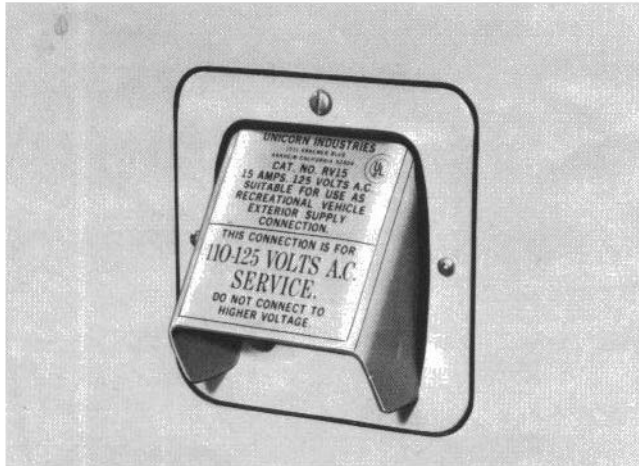
**11. Louvered Windows:** The Campmobile is equipped with two louvered windows; one in the sliding door and the other on the opposite side of the vehicle. Each louvered window has a removable screen. To remove the screen, push the screen frame upward and pull outward. To replace the screen, reverse this procedure.

**Vent Adjustment:** If a louvered vent does not close down properly, adjusting holes have been provided. These holes are in the pivot brackets. There are two screws holding each end of the vent to the pivot bracket. The upper screw must always keep its position, while the lower one is for adjusting the vent closure. The lower screw should move up to the next hole to tighten the closure or down to relieve this closure, if it has been adjusted too tight.

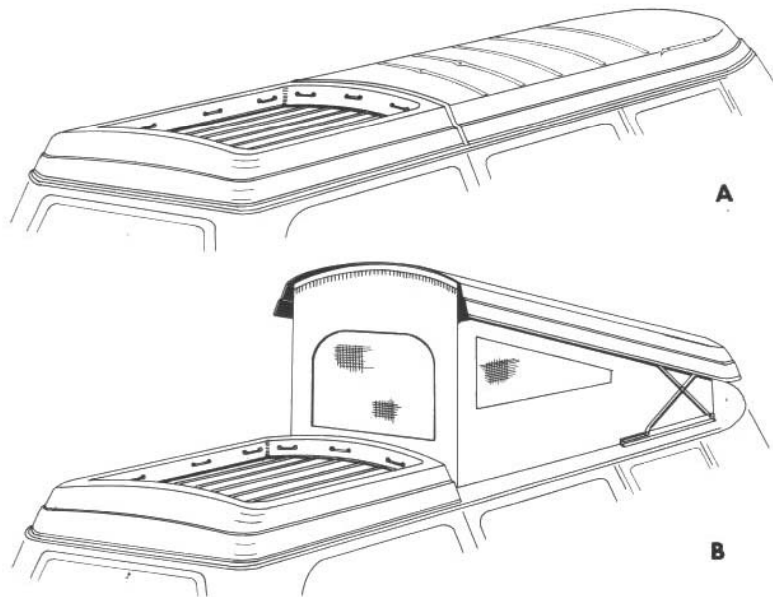
**CAUTION:** Do not remove all four screws holding a louver vent unless you wish to remove it from the window frame for replacement of glass.



**12. The Electrical Receptacle:** (110—125 Volts A. C.) The electrical receptacle is located on the left side of the vehicle below the louvered window. The internal double faced electrical outlet and circuit breaker for appliances is located on the wall panel directly to the left of the front bench seat in the passenger compartment.

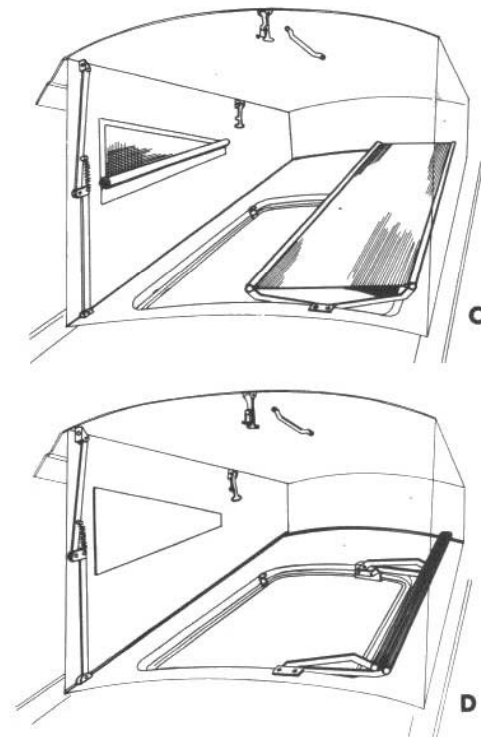


**13. Pop-Up-Top (Optional):** The entire roof of Campmobiles equipped with this option is covered by a fiber glass reinforced polyester top (illustration A). The forward section of the roof is the actual elevating pop-up-top. To raise this section, release the threaded tie-down rods (left and right) by turning the hand nut until the rod can easily be removed away from the retaining flange as indicated in drawing (E). As soon as these hold down rods have been disengaged, simply push up the pop-up-top until the two supports to the rear of the top lock in a vertical position. To close the pop-up-top, reverse this procedure. The sides and rear of the pop-up-top are weather resistant canvas with screens and flaps. The rear flap can be fully opened by a zipper to provide access to the luggage rack.



**Pop-Up-Top Cot:** The folded cot is installed on the right side of the pop-up-top and secured by folding steel braces (illustration C & D). The cot is held in place by straps when not in use.

**14. Luggage Rack:** The luggage rack located to the rear of the pop-up-top (illustration A & B) is equipped with tie-down hooks (to facilitate securing luggage).



### 15. Free Standing Tent (Optional):

A. Assemble the front part of the frame, consisting of telescopic tubular frame poles (8) and (9), connecting angle supports (marked green) (2) and (3), center piece (1) and two ridge tubes (4).

B. Assemble rear tent frame, consisting of telescopic tubular frame poles (8) and (9), angle supports (marked red) (6) and (7), center piece (5) and two ridge tubes (4).

C. Connect front and rear portion of frame with roof tubes (4).

D. After setting up the entire frame structure, adjust height of all corner poles (8) and (9) to body height.

E. Lay the tent canvas (10) below the framework, spread it out and attach the canvas loops to the frame (detail A).

F. Extend corner poles (8) and (9) until tent bottom just touches the ground.

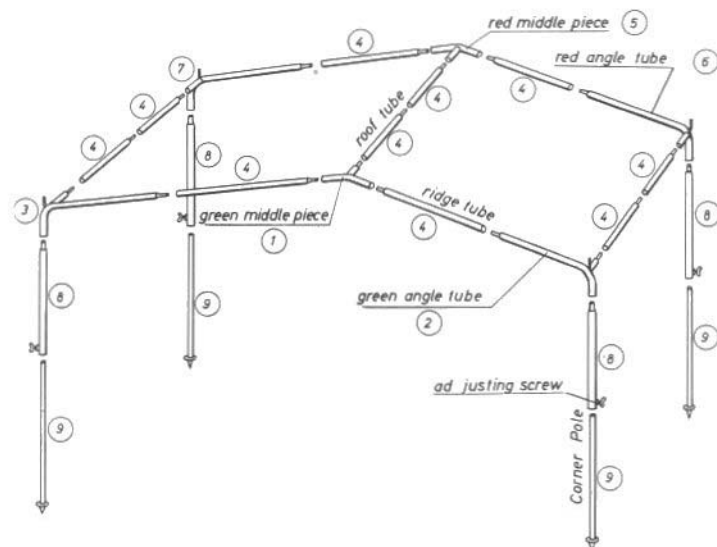
G. Use pegs (11) to fasten tent bottom to ground, and then attach and tighten guy ropes (12) with pegs (13).

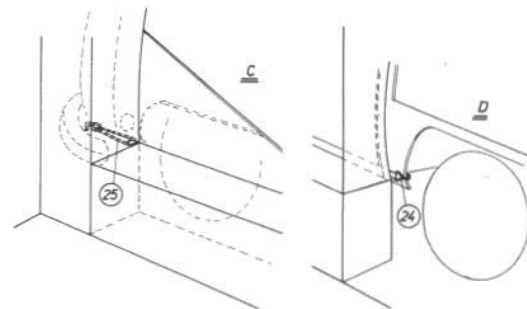
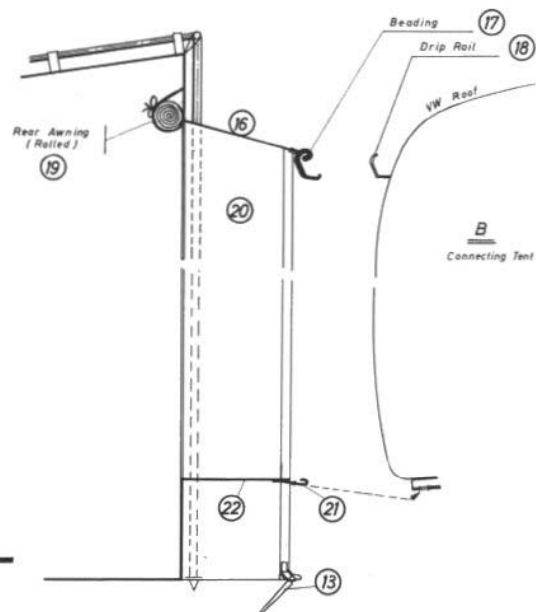
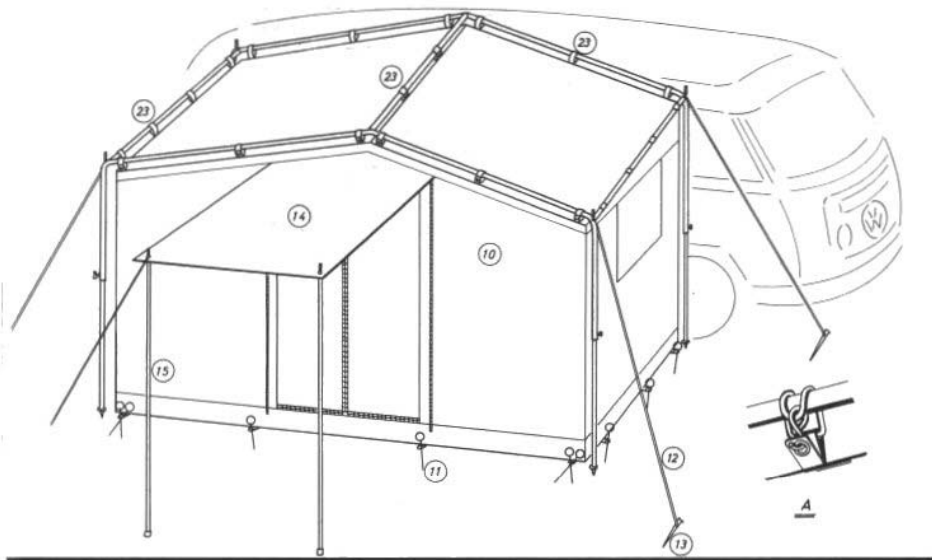
H. The front flap (14) can be folded up and supported by rods (15), pegs (13) and guy ropes (12) to form a sunroof.

I. When the tent is to be attached to the Campmobile the connecting boot (16) and seal (17) should be snapped on to the drip rail (18) of the vehicle, (detail B).

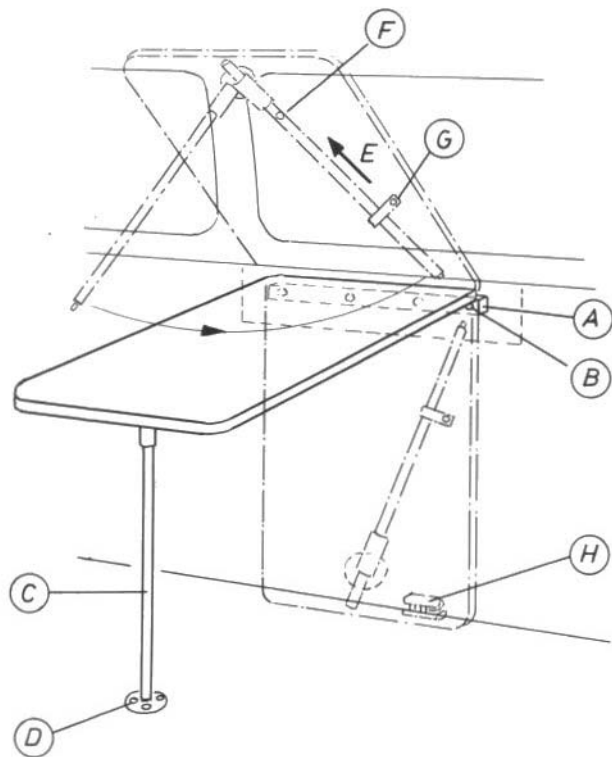
J. The sides of the connecting boot (20) should be fastened to the ground with pegs (13) and the bottom flap (22) should be fastened to the vehicle with the center hook (21) the front hook (24) (detail D) and the rear hook (25) (detail C).

K. In the case of heavy rain, unfasten one of the loops (23) connecting the tent to the frame to allow for faster drainage so that water does not collect on the roof.



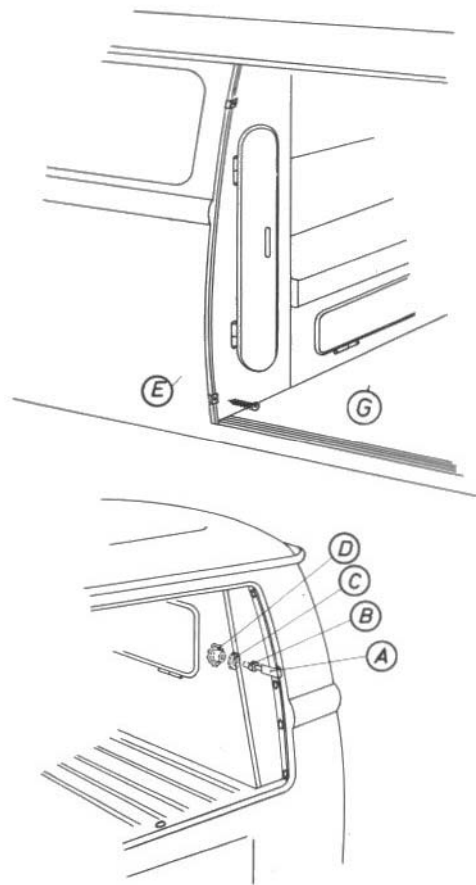


## REMOVAL INSTRUCTIONS · MAYOR COMPONENTS

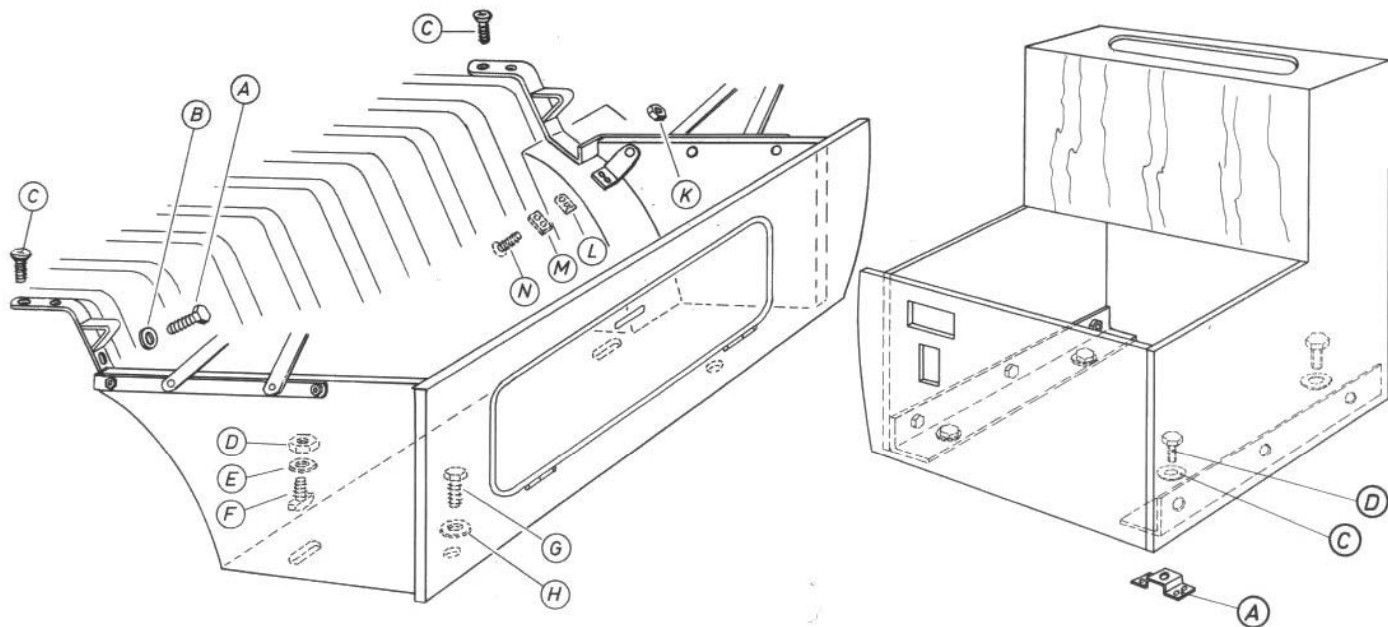


Dinette Table: Loosen screws (B) attaching unit to wall.

Wardrobe Linen Closet: Loosen the screws at the top and bottom of the Wardrobe Closet and the hand nut (D) at the back of the linen closet.

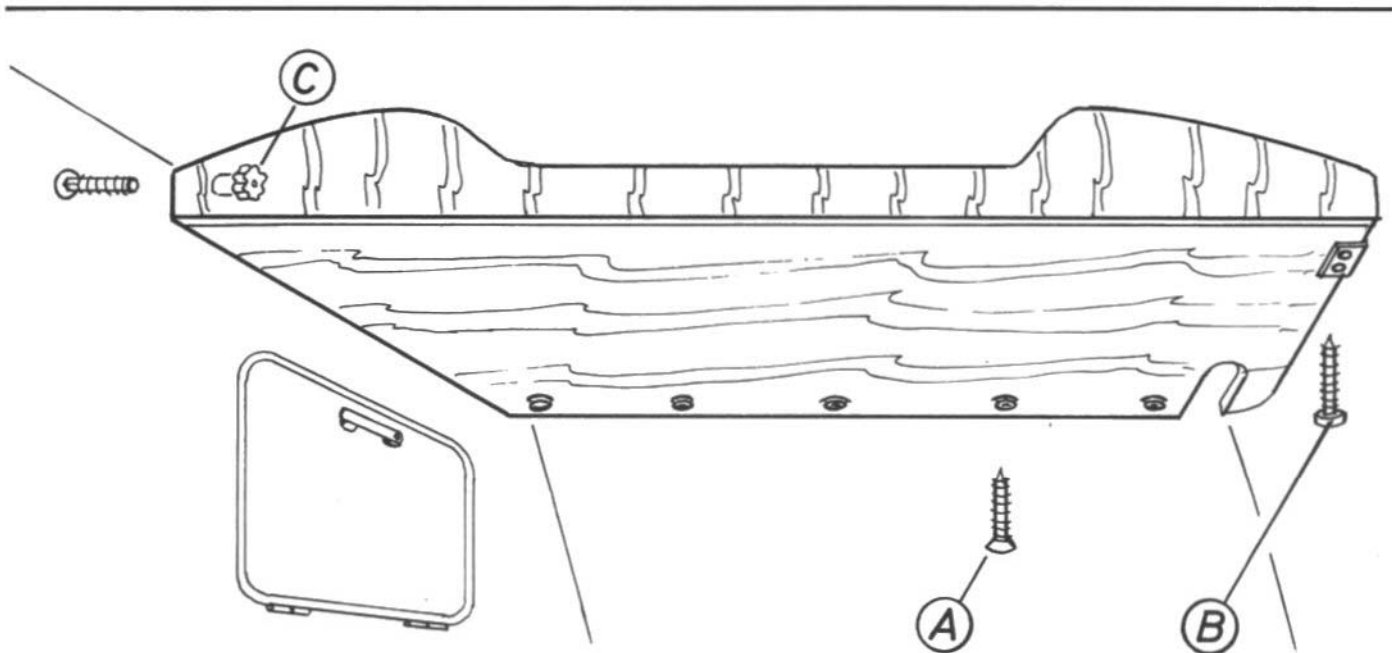






Rear Bench Seat: 1. Remove screws (A, C & G) and nuts (D & K);  
2. Lift up, forward and then out to the side.

Front Bench Seat: 1. Remove seat cushion; 2. Loosen screws (D)  
and lift the unit out.



Ceiling Shelf Cabinet: To remove the ceiling shelf cabinet, remove screws (A & B) and loosen the hand nut (C).



**WESTFALIA-WERKE KG · 4832 WIEDENBRÜCK I. WESTFALEN TELEFON 5021**