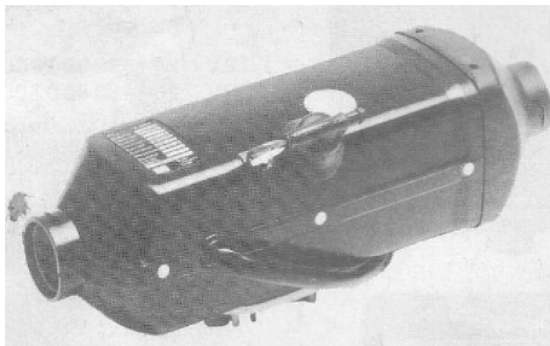


# Air heaters B1L/D1L

Technical Description  
Installation instructions  
Operating Instructions



J. Eberspächer  
Eberspacherstr. 24  
D-7300 Esslingen  
Telefon (zentral)  
(0711) 31 09-0  
Telefax  
(0711) 3109-500



**Air heaters independent of engine**  
**B1L for petrol**  
**D 1 L for diesel**

## Specifications

Heating medium	Air
Hot air throughput <sup>1)</sup> (without counter-pressure)	100 kg/h $\pm$ 10
Heating capacity <sup>1)</sup>	1800 W $\pm$ 10 11/0
Fuel (see also page 10)	B1L: Gasoline, (Commercial grade)  D1L: Diesel fuel, (Commercial grade)
Fuel consumption <sup>1)</sup>	B1L: 0.24 l/h $\pm$ 5% D1L: 0.21 l/h $\pm$ 5
Rated voltage	12 V or 24 V
Operating range:	
Lower voltage limits <sup>2)</sup>	10 V or 20 V
Upper voltage limit <sup>3)</sup>	14 V or 28 V
Electrical power consumption <sup>1)</sup>	B1L at start 200W $\pm$ 10% operating 40 W $\pm$ 10  D 1 L at start 12 V = 260 W $\pm$ 10 24V=500W $\pm$ 10% operating 40 VV $\pm$ 10%

<b>B1L</b> Basic heater with standard equipment	Cat. no. 12V 20 1590 05 00 00
Universal installation kit	20 1575 80 00 00

<b>D 1 L</b> Basic heater with standard equipment	Cat. no. 12 V 25 1384 05 00 00 24V 25 1385 05 00 00  12V 25 1637 05 00004) 24 V 25 1638 05 00004)
---	--

Universal installation kit	20 1575 80 00 00
----------------------------	------------------

Control elements (to be ordered separately, see page 2). See Additional Equipment Catalog for other accessories.

Ventilation Possible with suitable circuits

Degree of radio interference suppression Remote; additional interference suppression measures possible

Weight approx.. 3 kg

<sup>1)</sup> at rate voltage

<sup>2)</sup> an undervoltage safety device built into the control unit switches off the heaters when at approx.. 10.5 V and 21 V respectively.

<sup>3)</sup> an overvoltage safety device built into the control unit switches off the heaters when at approx. 15 V and 30 V respectively.

<sup>4)</sup> with glow plug current regulator

## Contents

Scope of delivery/Cat. No	2,3
Official regulations	4
Installation instructions	4
Typical installations/installation location	4, 5
Installing the heater	5
Principal dimensions	5
Permissible installation positions/Fastening methods	6
Running the heating air/determination of rating	7
Running the combustion air	8
Running the exhaust	8
Fuel supply	9, 10
Fuel at low temperatures	10
Electrics/Wiring diagrams	11-16
Description of operation	17, 18
Malfunctions	18

### Scope of delivery:

Item	Qty.	Design/Cat. No
<b>B 1 L</b>		
1 - 4	1	Basic heater with standard equipment 12 V 20 1590 05 00 00 (Optional control elements)

#### Standard equipment comprises:

1	1	Basic heater 20 1593 01 (12 V) (not available alone)
2	1	Control unit
3	1	Fuel metering pump with built-in fuel filter
4	3	T-piece 6x6, 8x6, 12x6

### D 1 L

1-4	1	Basic heater with standard equipment 12 V 25 1384 05 00 00 24 V 25 1385 05 00 00 12 V 25 1637 05 00 00 24 V 25 1638 05 00 00
-----	---	--

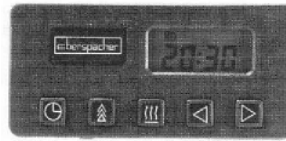
#### Standard equipment comprises:

1	1	Basic heater 25 1384 01 (12V), 25 1385 01 (24V) 25 1637 01 (12V), 25 1638 01 (24V) (not available alone)
2	1	Control unit
3	1	Fuel metering pump with built-in fuel filter
4	3	T-piece 6 x 6, 8 x 6, 1 2 x 6

### and additionally to be ordered for 1131 L and D 1 L

5	1	Set of connectors	25 1 380 89 05 00
-	1	Universal install kit	20 1 575 80 00 00

## Control elements, optional



### Timer

	Cat. No.
12V	25 1482 89 25 00
24V	251483891000
	Fasteners (only required for installation with screen)
	Cat. No.
	2514827001 00



### Timer with fasteners

	Cat. No.
12V	25 1482 89 19 00
24V	25 1483 89 02 00



### Universal switch

	Cat. No.
	25 1 380 89 04 00

### Bulb

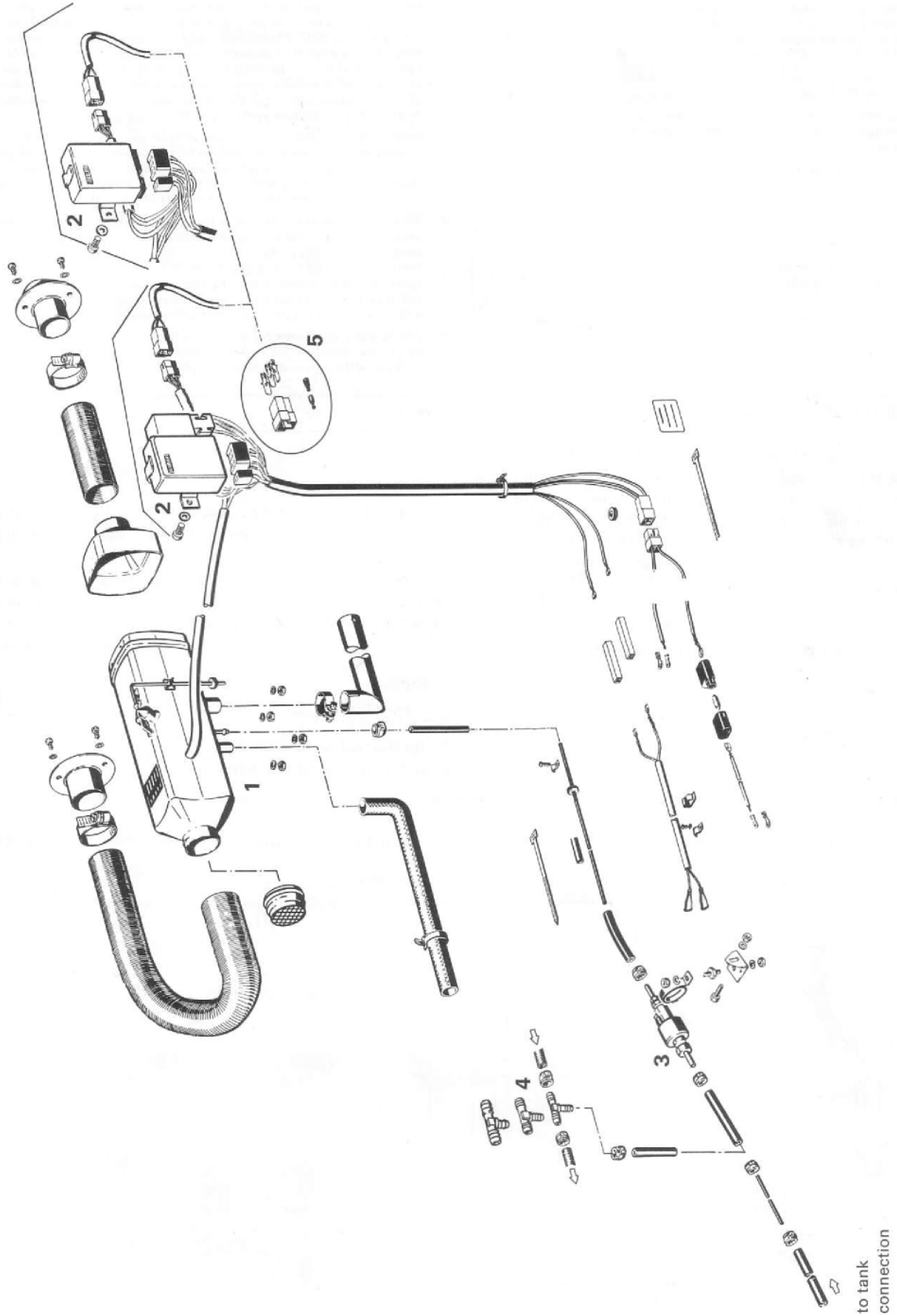
12V	207 00 005
24V	207 00 006



### Room thermostat

	Cat. No.
black	25 1 557 8001 00
brown	25 1 557 8007 00

Scope of delivery



to tank connection  
parts without item number  
= universal installation kit

## Approval, official regulations, general

1. For vehicles registered in West Germany (subject to the road traffic regulations StVZO), the heaters are approved by the Federal Motor Vehicle Office and receive an official test symbol (131 L ~ S 133, D1 L A V S 146) indicated on the name plate).  
The year of first operation is a requirement of German approval not representing a model number.
2. If the heater is installed in special-purpose vehicles (e. g. vehicles transporting dangerous cargoes), the regulations applicable to such vehicles must be observed.
3. The heater must not be operated in closed rooms, e.g. garages.  
The heater must always be switched off when the petrol tank is to be filled.
4. The heaters must be installed by a workshop approved by the manufacturer and in compliance with the installation instructions.
5. The heaters may only be used for the purpose specified by the manufacturer and in compliance with the operating instructions supplied with every heater.  
Operating the heater is not permitted where inflammable vapours or dust can build up (e.g. near fuel, coal or sawdust stores, grain silos etc.).  
Spray cans and gas cartridges in the vehicle must be kept out of the heating air current.
6. The proposed installations in the installation instructions are only examples. Other installation locations are also permissible, provided they comply with the general installation requirements: the manufacturer should be consulted if necessary- In all other respects, differences from the installation instructions, particularly with regard to wiring (wiring diagrams), fuel supply, combustion air and exhaust ducts, and use of operating and control elements not supplied by the manufacturer, are only permissible with the written approval of the manufacturer. Failing that, the manufacturer's warranty is null and void for the entire heater system, as is the general operating permit.
7. Every combustion process generates exhaust gas, which has toxic constituents. Because of this and the high temperatures generated, the exhaust duct must comply without fail with the installation instructions. Failure to comply with the instructions or operation of the heater in closed rooms (garages) harbours the risk of poisoning.
8. When the heater or the heating system is damaged, an authorized workshop must be called in to repair the damage in an expert manner and using genuine spare parts.  
Makeshift repairs (on one's own initiative) or the use of non-genuine spare parts are dangerous, and therefore not permitted. When carried out in cars, they invalidate the general design approval of the heater and consequently the general permit of the vehicle.
9. The warranty conditions are set forth in the heater booklet given to you by the after-sales service workshop when the heater is installed. Only our warranty conditions shall apply.

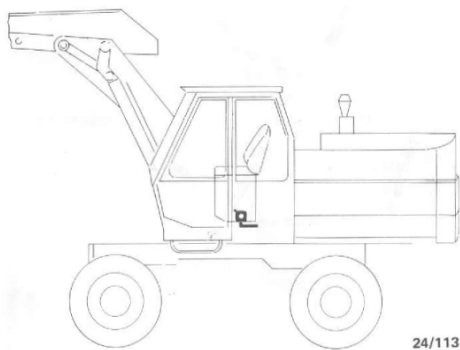
## Installation Instructions

The suggestions put forward in these installation instructions are only examples. Possibilities other than those illustrated (e. g. with regard to the choice of installation location, means of running air) are also permissible, provided they meet the requirements of the West German road traffic regulations (StVZO), and if necessary after consultation with the manufacturer.

### Typical installations/installation location

In excavator:

D 1 L  
in the cab



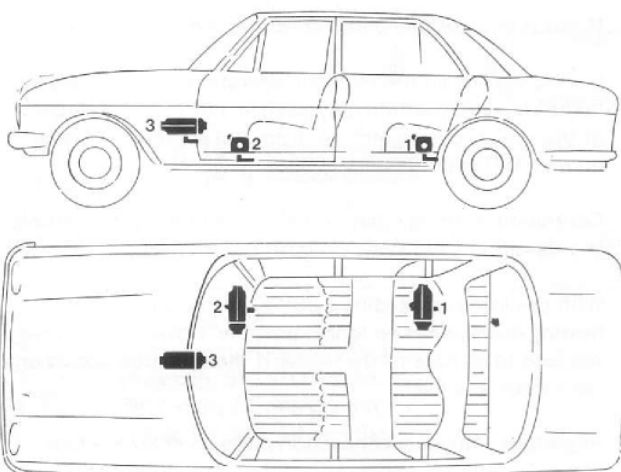
In truck:

- D 1 L
1. on the rear wall of the cab
  2. under the seat of the driver





B 1 L/D 1 L  
in vehicle interior



1. Heater under rear seat, inside or outside
2. Heater in front of passenger seat.
3. Heater on center console

### Installing the heater

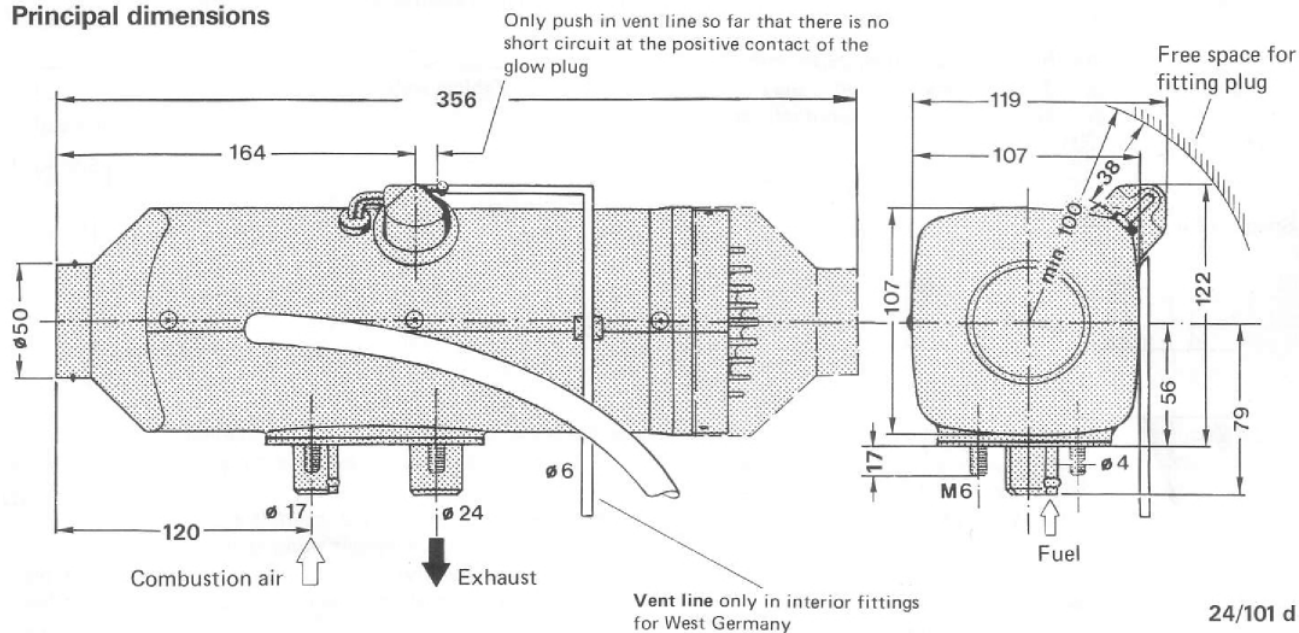
The B 3 L and D 3 L heaters are suitable and approved for installation in vehicle areas used by passengers. In the case of installation in passenger areas, the exhaust, combustion air and fuel lines in these areas must not have any detachable connections and must be splash-water-tight at the penetrations to the outside.

For this reason, the heater must be mounted by its base on an outside panel of the vehicle or on its floor, using the seal seated on the base.

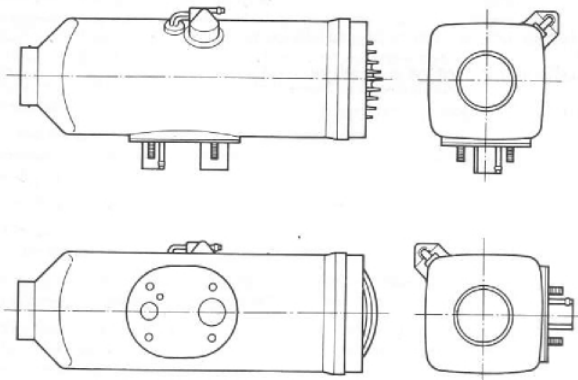
The factory plate must be clearly visible even when installed.

If necessary a second factory plate (duplicate) may be affixed, with the same information as the original, to a place on the heater clearly visible after installation, or to a cover placed in front of the heater. A second plate is not if the original is visible after removal of a cover without the necessary aid of tools.

### Principal dimensions



## Permissible installation positions



In general the heater should be installed in standard position, as shown.

If this is not feasible, please consult the manufacturer.

During starting an thermostatic operation a heater installed in the standard position may deviate, due to the inclination of the vehicle during motion, from this standard position up to  $\pm 150$  in both axes.

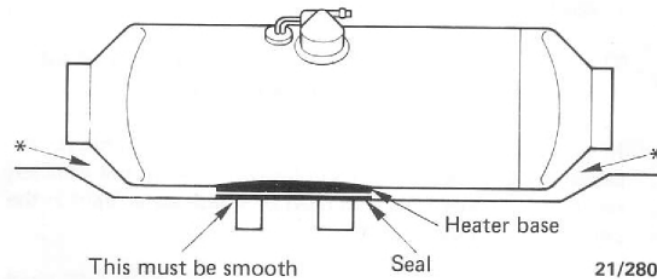
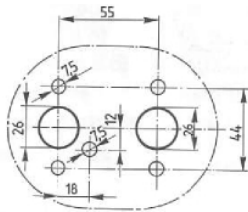
Continuous heating operation after starting is even possible at a deviation from standard position of up to  $\pm 300$ .

With deviations exceeding  $\pm 300$  a reliable continuous heating operation is no longer possible. However, this does not lead to damage of the heater if the deviation occurs only for a short interval.

Important: The plug connection piece must always face upwards.

## Fastening to the vehicle wall/floor

Make penetrations in accordance with the template pattern.



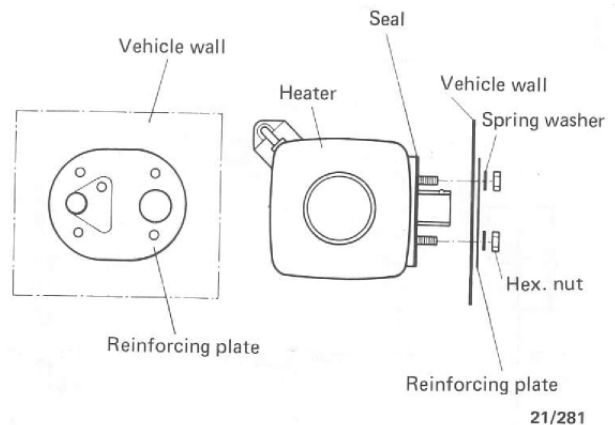
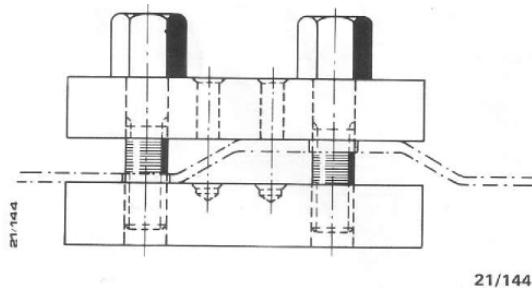
## Templet pattern

The holes for the 8 mm dia. vent lines and for the 10.5 mm-dia. metering pump/control unit cable are not included in the template pattern, and must be drilled to suit the installation arrangement.

The mating surface for the heater base must be smooth. To drill the penetrations and if necessary to smooth the mating surface, a special tool is available from the

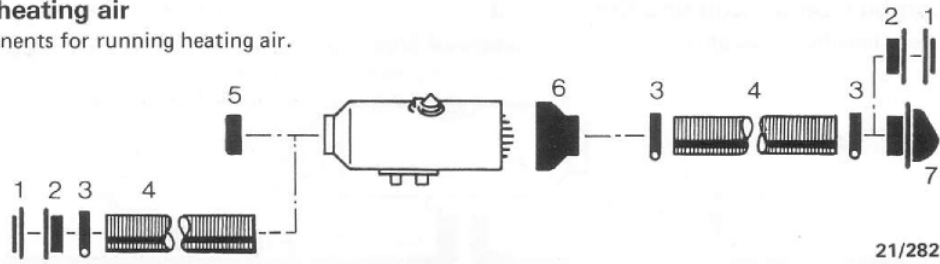
\*This must be kept free. Check for free running of fan wheel  
If the mating surface sheet is too thin (criterion: less than 1.5 mm), a reinforcing plate - Cat. No. 20 1577 89 00 03 - can be installed additionally on the outside.

## Special tool



## Running the heating air

Standard components for running heating air.

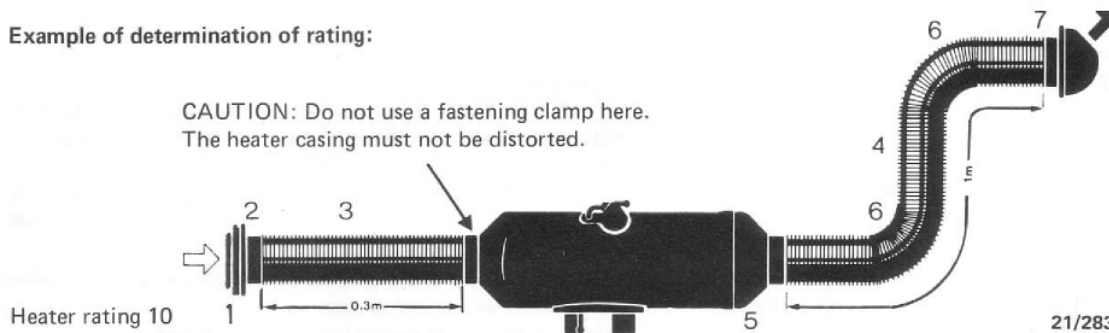


21/282

Item	Designation	Component	Cat. No rating
1	Protective grid	0.4	20 1465 89 05 00
2	Connection piece, 50 mm dia.	0.4	20 1575 80 08 01
3	Hose clip, 50 - 70 mm dia	-	2064 05 00 70
4	Flex. pipe, 50 mm dia. lin. m.	1.0 per m	10 2114 29 00 00
5	Protective grid, 50 mm dia. 0.1		20 1575 89 20 00
6	Hood 0		20 1465 89 00 01
7	Air outlet, rotatable, 50 mm dia.	1.25	20 1575 80 08 00
-	90° bend of flex pipe, 50 mm dia.	0.4	

Do not connect too many components. The sum of the component ratings may not exceed the heater rating. See Additional Equipment Catalog for further parts.

### Example of determination of rating:



21/283

Item	Designation	Component	Cat. No rating
1	Protective grid	0.4	20 1465 89 05 00
2	Connection piece, 50 mm dia.	0.4	20 1575 80 08 01
3	0.3 flexible pipe, 50 mm dia.	0.3	20 2114 29 00 00
4	1.0 m flexible pipe, 50 mm dia.	1.0	20 2114 29 00 00
5	Reduction hood, 50 mm dia. straight	0.0	20 1465 89 00 01
6	2 x 90° bends of flexible pipe (0.4 rating for each)	0.8	
7	Exhauster, rotatable	1.25	20 1575 80 08 00

### Sum of component ratings

### 4.15

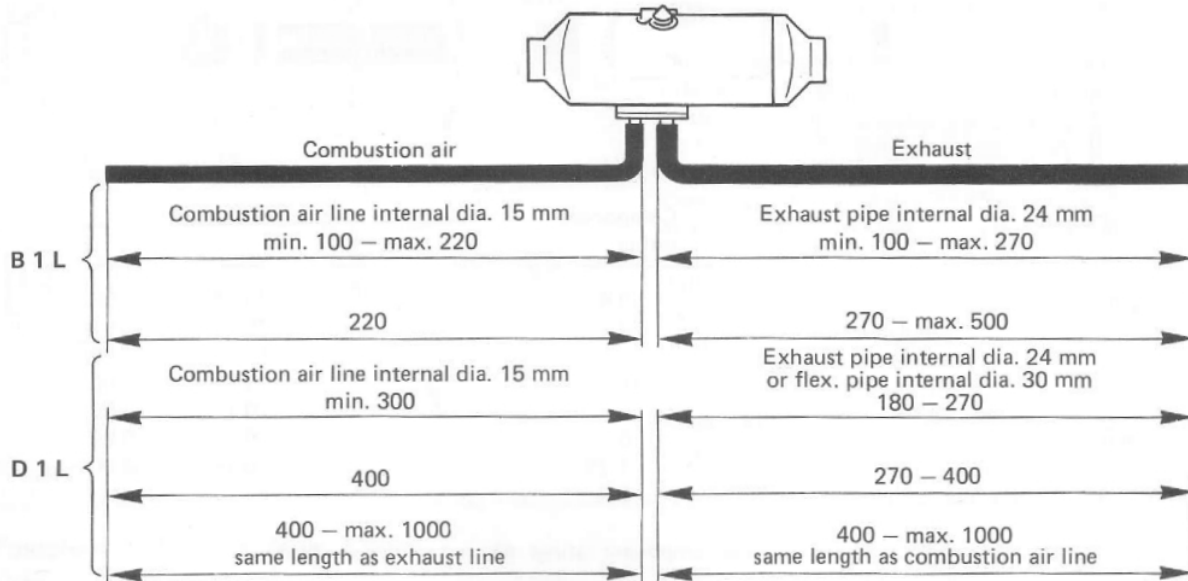
The sum of the component ratings does not exceed the heater rating of 10, installation is therefore permissible. When checking an installation, the average outlet temperature should not at the outlet point significantly exceed 110°C with an intake temperature of 20°C. This will ensure that the safety thermal cutout switch will not respond under normal operating conditions.

Heating air intake openings shall be arranged in such a manner that exhaust from the vehicle's engine and from the heater cannot be expected to be sucked in under normal operating conditions, and the heating air cannot be contaminated.

When operating as a recirculating heater, locate the inlet for the heating air in such a way that the outflowing hot air cannot be sucked directly in again.

## Running the combustion air/Running the exhaust

Permissible diameters, lengths, bends of combustion air and exhaust lines.



21/284

Measurements in millimeters

Permissible bend

Exhaust line: max. 180°

Combustion air line: max. 180°

Exhaust lines

B 1 L max. 500 mm long

D 1 L max. 1000 mm long  
must not be exceeded.

The scope of delivery includes an exhaust pipe, 270 mm long, with 90° bend, and a combustion air tube, 500 mm long, with 90° bend.

These can be shortened as required. Longer pipes are available as given in the Additional Equipment Catalog.

Additional noise suppression is possible by installing an exhaust silencer (see chapter "Exhaust Parts" in the Additional Equipment Catalog). The permissible length of the exhaust line is reduced here by the length of the exhaust silencer.

The combustion air must be sucked in from the outside, not from the passenger compartment or trunk.

Do not install the intake opening facing the slipstream, but run it in such a manner that dirt and snow cannot enter and that any water which does enter can flow out.

Exhaust lines must not project beyond the sides of the vehicle. They must be laid either with a slight slope or with 5 mm dia. holes at the lowest points for draining off condensate.

Arrange the exhaust outlet and the combustion air opening such that the exhaust cannot be sucked back in directly.

The exhaust outlet must be on the outside. Exhaust lines must be laid in such a way that neither the penetration of exhaust into the vehicle interior nor the intake of exhaust through the vehicle or heater blowers need be expected, and that the operation of essential vehicle parts is not affected (ensure adequate clearance). Place the outlet opening of the exhaust line in such a way that it cannot be clogged by dirt and snow and that any water which does enter can run off. Do not install facing the slipstream.

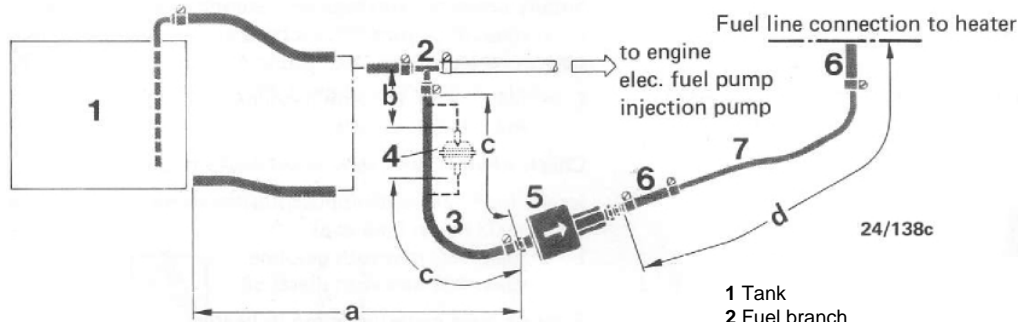
1) This requirement can be considered met if the outlet opening of the exhaust line is located at the usual places in motor vehicles, e.g. in engine compartment, in wheel case, on the vehicle underside, or on the rear of the cab.



## Fuel supply

### The instructions given here should not be disregarded as deviations may cause malfunctions. 1. Fuel intake from fuel line to engine (usually in passenger cars):

Precondition: the fuel line from the fuel tank to the engine must be tight, so that the flow of fuel is not interrupted when the engine is not running.



Dimension a = max. 2000 mm for gasoline  
max. 5000 mm for diesel oil

Dimension b = 50 mm

Dimension c = max. 300 mm

Dimension d = max. 4 m for gasoline  
max. 6 m for diesel oil

- 1 Tank
- 2 Fuel branch
- 3 Fuel tube, internal dia. 5 mm
- 4 Fuel pre-filter (vertical, up to 30° downward if fuelline is tapped)  
Cat. No. 25 1226 89 00 37, only necessary if fuel is contaminated
- 5 Fuel metering pump (150 to vertical, inclined upward)
- 6 Fuel tube, internal dia. 3.5 mm
- 7 Fuel pipe, plastic, internal dia. 1.5 mm
- 8 Tank connection, internal dia. 2 mm
- 9 Tube or plastic pipe (max. internal dia. 5 mm)
- 10 Fuel pipe, plastic, internal dia. 2 mm

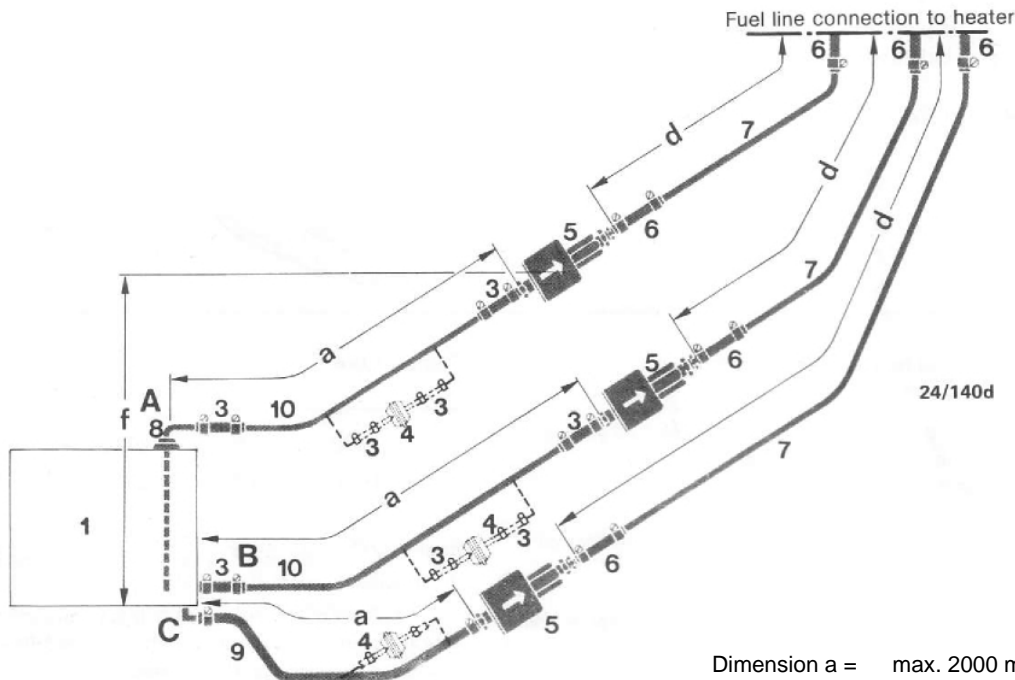
At all joints, fuel pipe (7) and connection pieces must touch.

### 2. Fuel intake separately from fuel tank or separate tank (usually in trucks, construction machinery, agricultural machinery)

A = intake from above

B = lateral intake at tank

C = lateral intake or beneath it; metering pump below lowest fuel level



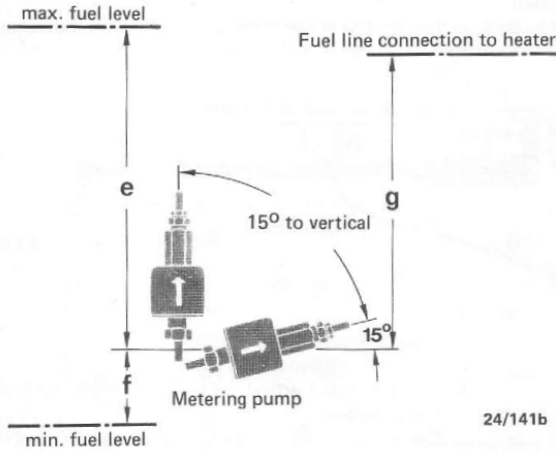
Dimension a = max. 2000 mm with gasoline  
max. 5000 mm with diesel oil

Dimension f = max. 500 mm with gasoline  
max. 1000 mm with diesel oil

Dimension d = max. 4 m with gasoline  
max. 6 m with diesel oil

With connection types A and B, the intake line - A includes tank connection (8) - including all connection points must have an internal dia. of 2 mm; for this reason, fuel pipe (10) and connections must touch each other at every joint.

**3. Permissible suction and pressure heads for installation per 1. and 2.; permissible positioning of metering pump**



Supply pressure from tank to metering pump:

e = max. 3000 mm suction head: tank at zero pressure

f = max. 500 mm with gasoline  
max. 1000 mm with diesel oil

Check whether tank ventilation works properly

intake from tank when underpressure occurs during operation (valve 0.03 bar in tank cap)

f = max. 150 mm with gasoline  
max. 400 mm with diesel oil

Pressure head metering pump to heater:  
g = max. 2000 mm

Fuel line metering pump to heater should not have a slope if at all possible.

**4. Important**

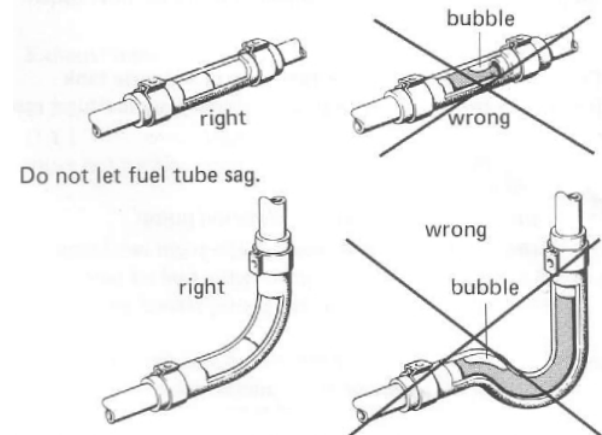
Protect fuel lines, filter and metering pump from overheating; do not install near silencers and exhaust pipes. Temperatures above 30° C lead to gas bubbles and problems with gasoline.

When installing the fuel line, fuel filter and fuel metering pump near the rear axle, be sure to take the spring deflection of the rear axle into consideration.

Cut fuel tubes and pipes to length only with a sharp knife. Cuts may not be indented and must be burr-free.

For connection of the fuel branches, always use rubber tubing, never plastic pipe.

Fuel pipes connected by means of a fuel tube. Fuel pipe sections must abut.



**Fuel grades/Fuel at low temperatures**

The heater can take without problem the same fuel you use in your tank- In the USA diesel fuel no. 1 and no.2. Admixture of used oil is not permitted

The refineries automatically adapt their fuels to normal winter temperatures (Winter Diesel) Therefore difficulties can only arise at extremely low temperature (as in the engine - see the vehicle's instruction manual).

If the heater is operated from a separate tank, the following rules must be observed: at temperatures above 0° C any type of diesel fuel can be used.

If no special cold-weather diesel fuel is available at low temperatures, mix kerosine or gasoline according to the adjacent table.

Temperature	Winter diesel oil	Additive
From 0°C to -15°C**	100%	-
From -15°C to -25°C	50%	50 % kerosine or gasoline
From -25°C to -40°C	-	100% Kerosene*

\* or special winter diesel oils

\*\* or in accordance with fuel manufacturer's specifications

The fuel line and the fuel pump must be filled with new fuel by operation for 15 minutes.

**Fuel for special cases**

In special cases, the heaters can also be operated on extra light fuel oil (above 0°C) or kerosine If in doubt consult the manufacturer.

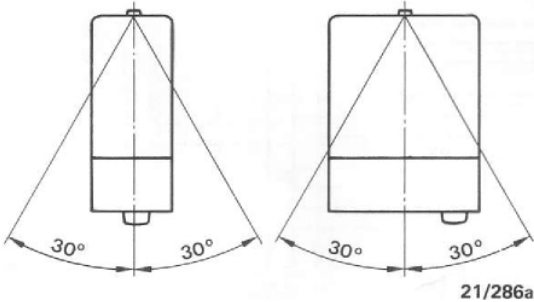
Electrics:

Arrange electric cables, switches and control units in the vehicle in such a way that their correct functioning cannot be impaired under normal operating conditions.

Fit the control unit so that it is protected from splash water (from both its own vehicle and preceding ones). Outside installation is thus not permissible. The unit is best arranged in the vehicle interior, with the plugs pointing downward.

Control unit

Permissible installation angles



The pilot light (built into the switch or timer) should be within the field of vision of the driver, or at least be visible to him without great effort.

Install the room thermostat where it is sheltered from draughts and sunlight. Do not fit it to non-insulated outer walls.

**Parts list to wiring diagram B 1 L page 12 and wiring diagrams D 1 L page 13-16.**

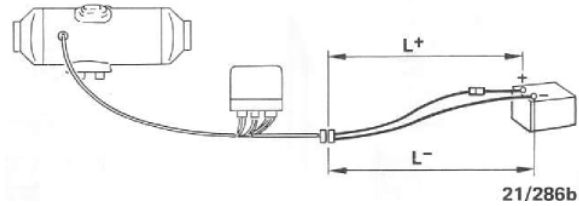
- 1.1. Blower motor
- 1.2. Glow plug
- 1.2.1. Glow plug drop resistor
- 1.2.3. Temperature fuse
- 1.4. Temperature switch
- 1.5. Safety thermal cutout switch
- 2.1. Control unit 2.1.1. Motor fuse
- 2.2. Fuel metering pump 2.5.1. Relay for glow plug
- 2.7. Main fuse 16 Amp.
- 3.1.1. Universal switch
- 3.2.1. Timer
- 3.3.1. Thermostat
- 2.2.1. Circulation pump
- 3.7. Glow plug current regulator
- 5.1. Battery



Optional addition parts

- rt = red
- br = brown
- ws = white
- sw = black
- gn = green
- ge = yellow
- vi = violet

The following cable cross-sections must be observed between battery and heater, in order that the maximum permissible voltage losses in the cables (0.5 at 12 V rated voltage and 1 V at 24 V) are not exceeded.



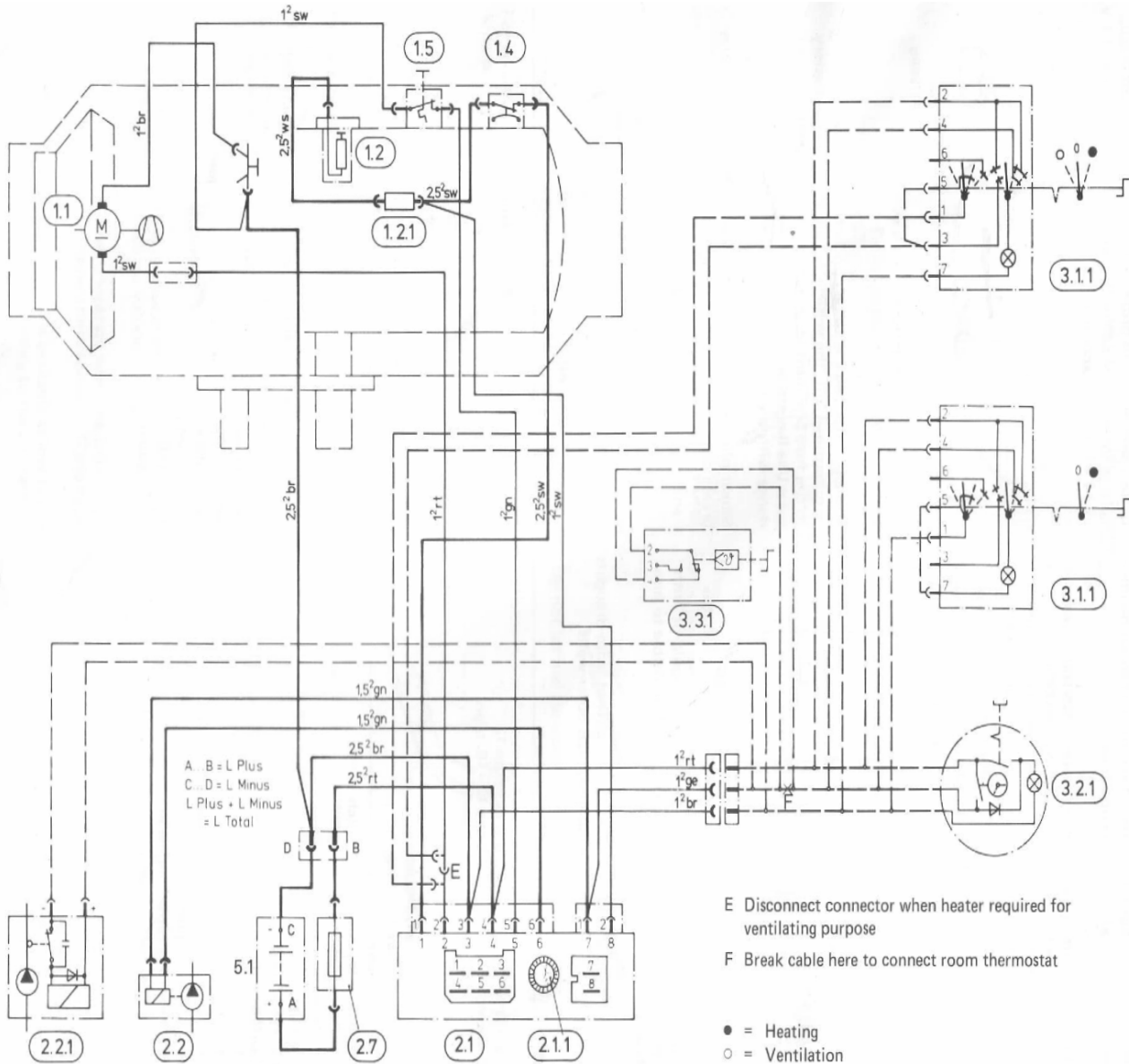
- $L+ + L- < 5 \text{ m}$  - cross-section 4 mm<sup>2</sup>
- $L+ + L- 5 \text{ to } 8 \text{ m}$  - cross-section 6 mm<sup>2</sup>

If the positive cable is to be connected to the fuse box (e.g. terminal 30), the vehicle's cable too from the battery to the fuse box must be included in the calculation of the total line length, and if necessary redimensioned in accordance with the above.

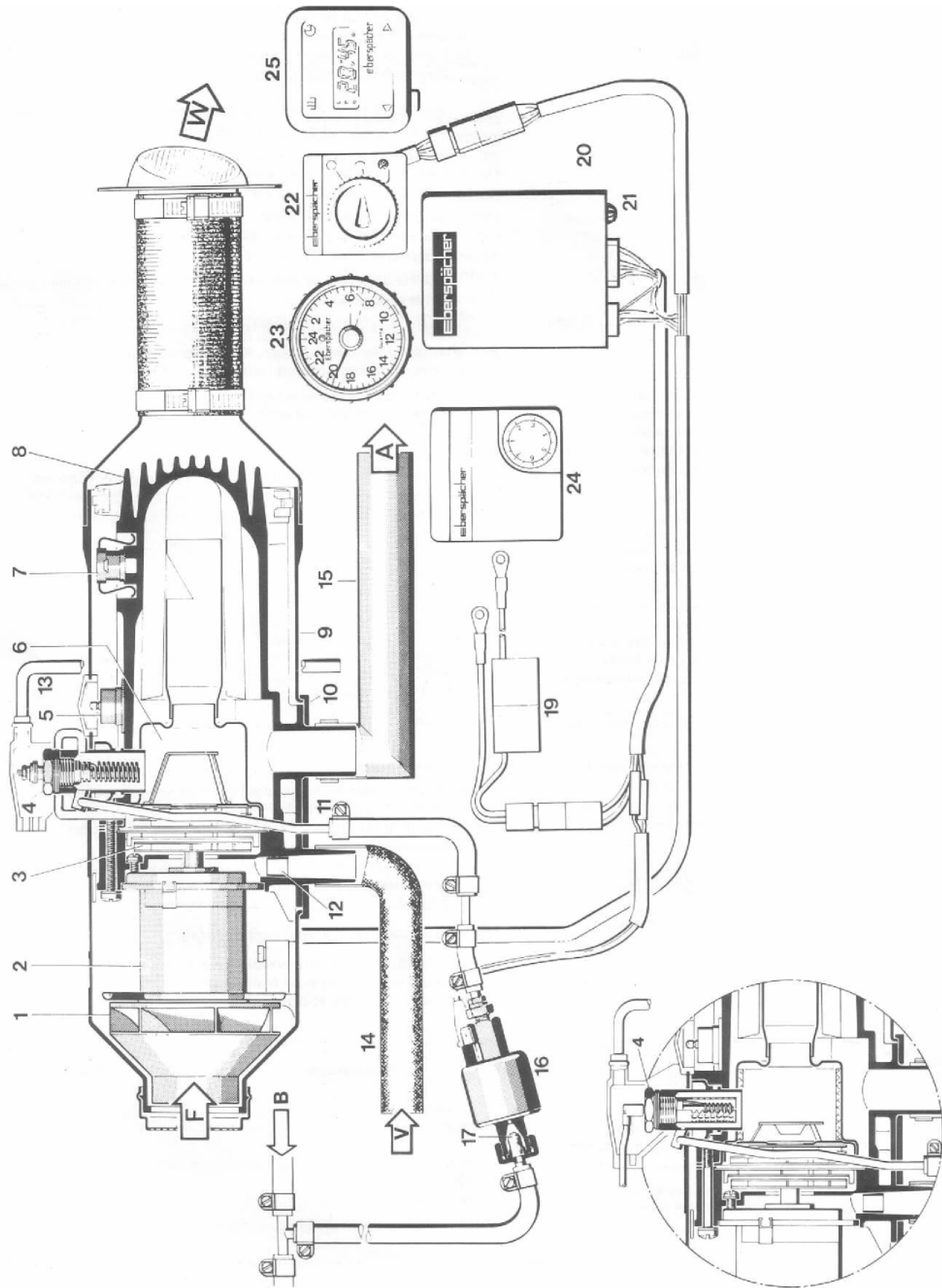
Smear plug and earth connections with contact protection grease outside the vehicle interior.

# Wiring Diagram

B 1 L - 12 V - 20 1590 05 00 00



20 1590 00 96 01



- 1 Hot-air blower
- 2 Electric motor
- 3 Combustion air blower
- 4 Glow plug
- 5 Safety thermal cutout switch
- 6 Combustion chamber
- 7 Temperature switch
- 8 Heat exchanger
- 9 Casing
- 10 Connection flange
- 11 Fuel connection
- 13 Plug area ventilation

- 14 Combustion air tube
- 15 Exhaust pipe
- 16 Fuel metering pump
- 17 Fuel strainer
- 19 Main fuse
- 20 Control unit
- 21 Motor current fuse
- 22 Universal switch
- 23 Timer
- 24 Room thermostat
- 25 Timer
- 12 Screen for combustion air

- F = cold air
- W = hot air
- V = combustion air
- A = exhaust
- B = fuel

## Description of operation

Heaters D 1 L and B 1 L are of identical design wherever practicable. The differing fuel types however make design differences unavoidable.

## Control elements

A choice is possible between:

### 1. Universal switch (22)

Switch position: Heating or Ventilation

If other switches generally used in motor vehicles are employed, they must be able to take at least 10 A.

### 2. Timer (23125)

Using the timer, the heater can be switched on at once or the switchon time can be preselected in advance.

### 3. Room thermostat (24)

A room thermostat can also be used in conjunction with the universal switch or timer. It should however be remembered that the load on the battery is greater and that wear on plugs will be heavier.

## Mode of operation

The pilot lamp comes on when the heater is switched on. With a time-lag of approx. 5 sets., the hot-air blower starts to convey hot air, the combustion air blower combustion air and the fuel metering pump fuel, in exactly metered amounts, into the combustion chamber Fuel and combustion air here form an inflammable mixture which is ignited at the glow plug. The combustion gases now pass through the heat exchanger and activate the temperature switch, which switches off the glow plug. The hot air is heated at the heat exchanger and passes through the exhauster into the area to be heated. When the heater is switched off, the pilot lamp goes off, but the blower motor runs until the heater has cooled down. Then it is automatically switched off by the temperature switch.

## Controls and safety equipment

The flame is monitored by the temperature switch- This switch acts on the safety switch in the control unit, which switches off the heater in the event of a malfunction.

## Sequence after switching on:

**a)** The temperature switch switches off the glow plug when a stable flame has been obtained. In addition, after the heater has been switched off, it automatically stops the blower when the heater has cooled down.

**b)** If the heater fails to ignite, it switches off automatically not more than 3 minutes after being switched on.

If a defect in the blower motor has caused the heater to switch off, the motor current fuse installed in the control unit may have been tripped. Check it and replace if necessary. The heater can be switched back on by briefly switching it off and back again. If the motor current fuse blows repeatedly, have the blower fault remedied. Do not switch the heater back on more than twice. If it still does not start, remedy the malfunction in accordance with the Troubleshooting and Repair Manual.

**c)** Should the flame extinguish spontaneously during operation, the heater will automatically switch off after no more than 4 minutes. It can be switched back on in accordance with b).

**d)** The safety thermal cutout switch stops the fuel metering pump if the maximum permissible temperature for the heating air is exceeded (e. g. in the event of the heating air ducts becoming blocked). The heater then switches off automatically. After removal of the cause of overheating and pressing of the knob on the safety thermal cutout switch, the heater can be put back into operation by switching it off and on again.

**e)** If the glow plug is defective, the temperature fuse on the glow plug series resistor (D 1 L - 24 V only) has blown, or the electric line to the fuel metering pump is broken, the heater will not start.

**f)** If the voltage drops below 10.5 V or 21 V, or rises above 15 V or 30 V, as the case may be, the heater switches off automatically.

**IMPORTANT!** Heaters with undervoltage safety device may only be operated with the appropriate control units (with replaceable motor current fuse),

You can remedy the following malfunctions yourself:

1. The blower cannot be heard after the heater is switched on:

a) Check the 16 A fuse in the cable harness of the heater.

h) Check the motor current fuse in the control unit (heaters Nos. 25 1531 05 and 25 1532 05 only).

Important! Only the following Eberspacher spare part fuse inserts (special monitored design) may be used:

for 12 V fuse insert TT 4, blue marking, no 460 26 016 Cat. No., for two: 25 1531 05 02 00

for 24 V fuse insert TT 2, yellow marking, no 460 26 000 Cat. No., for two: 25 1532 05 02 00

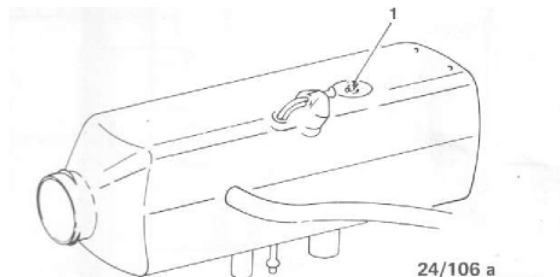
The use of other fuse inserts may lead to damage in the control unit in the event of a fault.

c) Check the glow plug and replace it if necessary.

2. After the heater is switched on, the blower only runs for about 3 minutes, the heater does not ignite and automatically switches off. Briefly switch the heater off and back on again (not more than twice). If the heater still does not ignite, have the trouble seen to in a workshop.

3. The heater goes off during operation:

If the fault is due to overheating, switch the heater off, eliminate the cause of the overheating (e. g. blocked hot-air pipe), press the safety thermal cutout switch (1) and switch the heater back on.



Please remember that the heater does not start to work until about 5 seconds after being switched on.

The pilot lamp in the universal switch comes on immediately after the heater is switched on.

The heater must never be switched on while the tank is being filled. The heater must not be operated in garages.

When carrying out electric welding work on the vehicle, disconnect the positive pole from the battery and earth it, in order to protect the control unit.

Only our warranty conditions are valid for warranty claims.